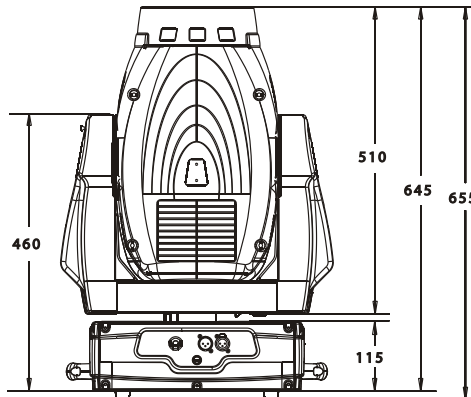
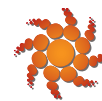
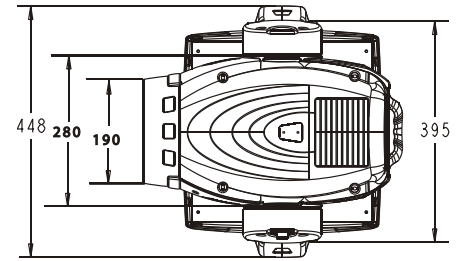


Design Beam 300



Design Beam 300 Dimensions (mm)



HYBRID
(INTELLIGENT SPOT & WASH IN ONE)

The Design Beam 300 (DB 300) by Elation Professional is an intelligent 300 watt compact hybrid spot, wash and beam projector featuring CMY color mixing and EWDMX built-in wireless DMX receiver. DB 300 is equipped with 8 static/replaceable dichroic filters including CTO, CTB and UV and one gobo wheel containing 6 rotating, indexing replaceable gobos. Additional features include variable frost for hard edge beam or wash effect, rotating indexing 3-facet prism, 16-bit movement and 3 phase motors for fast movements. The unit is available in black casing and features a compact case design (250 size case). The DB 300 is powered by Phillips MSR 300/2 fast fit single end discharge lamp providing up to 750 hours estimated lamp life. Rated at IP20 this unit is designed for indoor applications only and can operate from 90~240V AC, 50/60HZ. Control data input is via 3 pin or 5 pin DMX data first in and out connections.

FEATURES

- 300 Watt Hybrid Spot / Wash / Beam Projector
- CMY Color Mixing
- 8 Static / Replaceable Dichroic Colors including CTO, CTB and UV
- 6 rotating / indexing gobos (replaceable)
- Very tight 7.5° beam angle / extreme output ACL EFFECT!
- Extreme Light output – 45,000 Lumens!
- 16 Bit Movement Pan/Tilt
- 3 Phase Motors for fast movements
- Rotating / Indexing Prism 3-Facet
- Variable Frost for hard edge BEAM or WASH effect
- **EWDMX** Wireless DMX receiver built in
- Digital LCD Blue / White Menu Display
- Pan / Tilt Lock - 630° or 540° Pan x 265° Tilt selectable
- 19 DMX channels standard or 27 DMX channels extended
- DMX Record function on-board
- 4 User settable personality DMX traits
- Compact case design (250 size case)
- ETL approved

TECHNICAL SPECIFICATIONS

- **DMX Channels:** Standard mode: 19 DMX channels
Extended mode: 27 DMX channels
- **Control:** RDMX, 3 pin or 5pin DMX in/out
- **Dimmer:** Yes
- **Strobe:** Yes
- **Power supply:** 90-240v / 50-60hz
- **Power consumption:** 3.7A 446W
- **Fuse:** 5T /3.6A Electronic Ballast
- **DB Rating:** 52db @ 3'
- **Lamp:** MSR300/2 Fast Fit Phillips single end discharge lamp
- **Lamp life:** 300W, CRI 75, 8000°K, 750 HRS
- **Lux:** 33,150 @ 30'
- **Dimensions:** (LxWxH) 16.9" x 17.6" x 20" / 429.26 x 447.04 x 508mm
- **Weight:** 56.2 lbs. / 25.5 kg
- **Rigging:** Rigging included
 - 1 x safety cable
 - 1 x data cable (3-pin)

RDMX
REMOTE DMX ADDRESSING

POWERED BY
PHILIPS



EWDMX
ELATION WIRELESS DMX

Design Beam 300

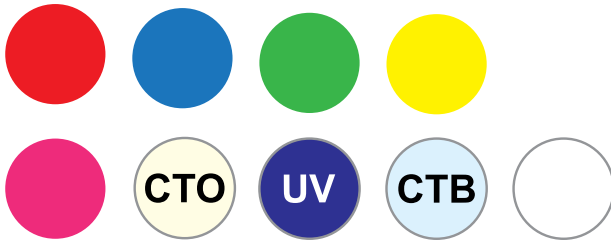


COLORS / GOBOS

- CMY Color Mixing
- 8 Static / Replaceable Dichroic Colors incl. CTO, CTB and UV
- 6 Rotating / Indexing Gobos (replaceable)
- Very tight 7.5° beam angle / extreme output ACL EFFECT!
- Extreme Light output – over 30,000 Lumens!



COLORS



STATIC GOBO WHEEL

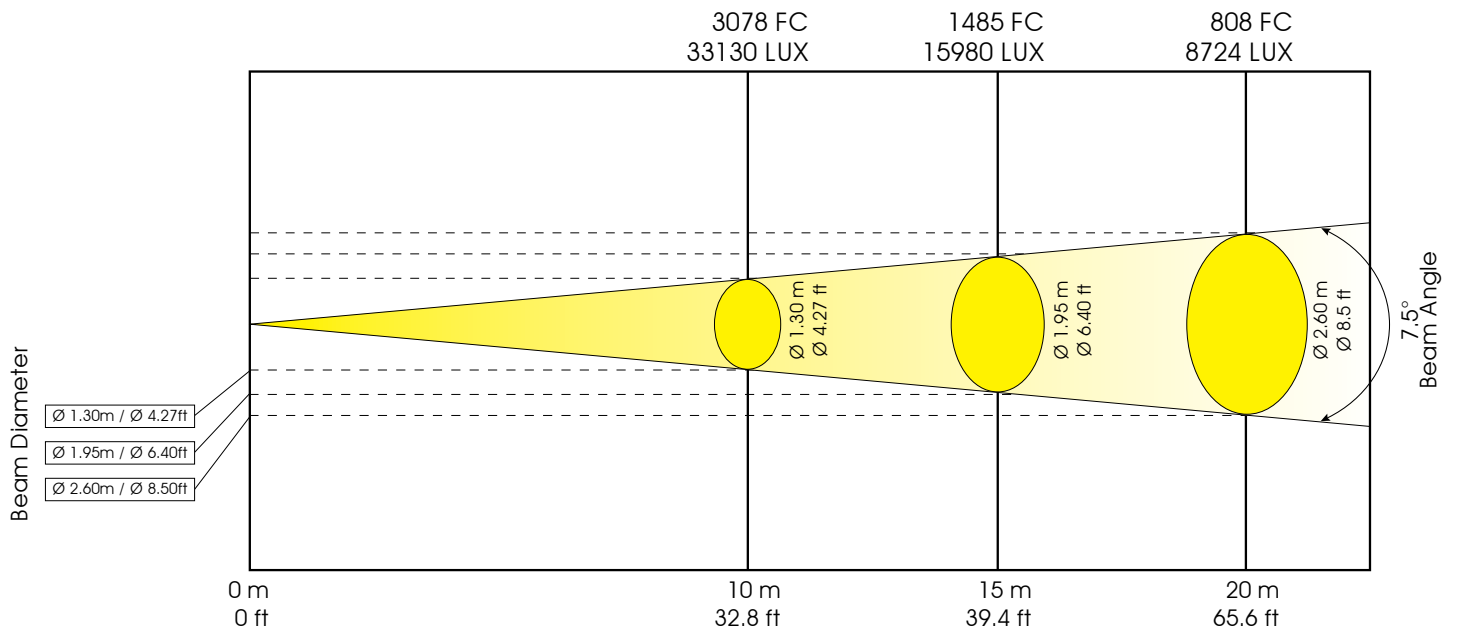


PHOTOMETRICS

Design Beam 300 Photometric Beam Angle Data

Beam Angle 7.5°

LUX x 0.0929 = FC



DMX TRAITS

16-Bit Basic Mode:

Channel	Value	Function
1	0 - 255	PAN 8-bit
2	0 - 255	PAN fine 16-bit
3	0 - 255	TILT 8-bit
4	0 - 255	TILT fine 16-bit
5	0 - 255	Color Wheel
6	0 - 255	Cyan 0 to 100%
7	0 - 255	Magenta 0 to 100%
8	0 - 255	Yellow 0 to 100%
9	0 - 255	Gobo wheel
10	0 - 255	Gobo Wheel Index & Continuous Scroll
11	0 - 255	Shutter/strobe
12	0 - 255	Dimmer
13	0 - 255	Rotating Effect
14	0 - 255	Rotating effect index & rotation
15	0 - 255	Frost
16	0 - 255	CMY Speed: Maximum to Minimum
17	0 - 255	Pan/Tilt Speed
18	0 - 255	Color Macros
19	0 - 255	Lamp on/off, Reset, Internal Programs

16-Bit Extended Mode:

Channel	Value	Function
1	0 - 255	PAN 8-bit
2	0 - 255	PAN fine 16-bit
3	0 - 255	TILT 8-bit
4	0 - 255	TILT fine 16-bit
5	0 - 255	Color Wheel
6	0 - 255	Color Wheel Fine 16-bit
7	0 - 255	Cyan 0 to 100%
8	0 - 255	Cyan Fine 16-bit
9	0 - 255	Magenta 0 to 100%
10	0 - 255	Magenta Fine 16-bit
11	0 - 255	Yellow 0 to 100%
12	0 - 255	Yellow Fine 16-bit
13	0 - 255	Gobo Wheel 1
14	0 - 255	Gobo Wheel 1 Index & Continuous Scroll
15	0 - 255	Gobo Wheel 1 Fine Indexing
16	0 - 255	Shutter/Strobe
17	0 - 255	Dimmer: Intensity 0 to 100%
18	0 - 255	Dimmer Fine 16-bit
19	0 - 255	Rotating effect
20	0 - 255	Rotating effect & index rotation
21	0 - 255	Rotating effect index 16-bit
22	0 - 255	Frost
23	0 - 255	Frost fine 16-bit
24	0 - 255	CMY speed
25	0 - 255	Pan/Tilt Speed
26	0 - 255	Color macros
27	0 - 255	Lamp on/off, Reset, Internal Programs