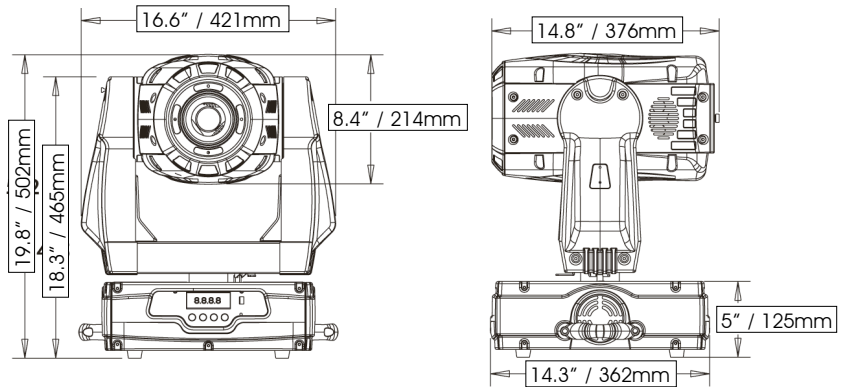


Design Spot 300 PRO



Design Spot 300 Pro Dimensions

The Design Spot 300 Pro by Elation Professional is a 300W CMY spot moving head fixture featuring motor driven variable zoom, EWDMX built-in wireless DMX receiver and CMY color mixing. This unit is equipped with 8 interchangeable dichroic filters (5 colors, CTO, CTB, UV) + white, 2 gobo wheels, 13 gobos total, 6 rotating and 7 static. Additional features include a variable iris, effect wheel with 3-facet and 3D glass prism and electronic focus via DMX. The Design Spot 300 Pro uses a Philips MSR GOLD 300/2 fast fit discharge lamp providing up to 1,000 hours estimated lamp life. Control data input is via 3 pin or 5 pin DMX data first in and out cables. This unit has a variable beam angle of 16° - 41°. Rigging for this unit includes 2 x 1/4 turn omega clamps, safety cable, 3-pin DMX data cable included and has a pan/tilt locking system for easy transport.

FEATURES

- 300W CMY Spot w/Zoom & EWDMX Moving Head
- CMY color mixing
- 8 Interchangeable Dichroic filters (including CTO, UV & CTB) + White
- Continuous, variable speed, color scrolling in both directions (rainbow effect)
- More color combinations possible by overlaying the multi-color dichroic gobo and the colors on the color wheel
- 2 Gobo Wheels, 13 Total Gobos, 10 Metal, 3 Glass
- 6 Interchangeable, Indexable, Rotating Gobos plus open
- 7 Interchangeable, Static Gobos plus open
- Gobo Overlay (Gobo Morphing)
- High output luminous-parabolic dichroic reflector
- Variable Beam Angle 16° - 41°
- 5300 Lux @ 5M
- Hard edge to soft edge frost
- Effect wheel with 3-facet & 3D Glass Prism rotating/Indexing Prism
- Both directions at variable speeds
- Macro-function for rotating gobos/rotating prism combinations
- Automatic Pan /Tilt position correction
- Pan/Tilt Lock
- Maximum PAN-movement 630° in 2.0 secs (default) or 540° (user selectable) / 16 bit
- Maximum TILT-movement 265° in 1.5 secs / 16 bit
- Vector Mode with blackout
- Pre-set variable/random strobe and dimming pulse effect
- Flicker free

- Motor driven focus from near to far
- Motor driven Variable Zoom 16° - 41°
- EWDMX Wireless DMX receiver built in
- On board menu settings
- Full Text LCD Display
- ETL approved



TECHNICAL SPECIFICATIONS

- **DMX Channels:** 22 DMX Channels, RDMX - Remote DMX Addressing
- **Control:** USITT DMX-512 (16-bit resolution), 3-pin & 5-pin XLR serial input/output
- **Dimmer:** Dual Flag mechanical dimming system
- **Strobe:** Variable speed strobe effect (1-13) Flashes per second
- **Iris:** Beam narrow to wide (5% - 100%), variable speed iris macros, small to large and large to small
- **IP Rating:** IP 20
- **Power supply:** Electronic Power Supply - Multi-voltage: AC 98V ~ 240V 50/60Hz
- **Power consumption:** 4.1A or 490W
- **Fuse:** 4.5A, Electronic Ballast
- **Lamp:** MSR GOLD 300/2 Fast Fit discharge lamp
- **Lamp Life:** 300W, 8500°K, 1000 HRS
- **Dimensions:** (LxWxH) 15.83"x 17.68"x 20.11" / 402.1 x 450 x 510.8mm - head level
- **Weight:** 58 lbs. / 26.5 kg
- **DB Rating:** 52db@ 3'



Design Spot 300 PRO



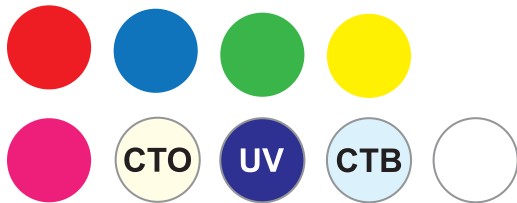
COLORS / GOBOS

- CMY color mixing
- 7 Interchangeable Dichroic filters + White
- Continuous, variable speed, color scrolling in both directions (rainbow effect)
- More color combinations possible by overlaying the multi-color dichroic gobo and the colors on the color wheel
- 2 Gobo Wheels, 13 Total Gobos, 10 Metal, 3 Glass
- 6 Interchangeable, Indexable, Rotating Gobos plus open
- 7 Interchangeable, Static Gobos plus open
- Metal Gobo Size: 26.9mm outside diameter, 23mm image diameter
- Glass Gobo Size: 26.9mm outside diameter, 23mm image diameter
- Gobo Overlay (Gobo Morphing)



COLORS:

7 Interchangeable Dichroic filters + White



Static Gobo Wheel



Rotating Gobo Wheel

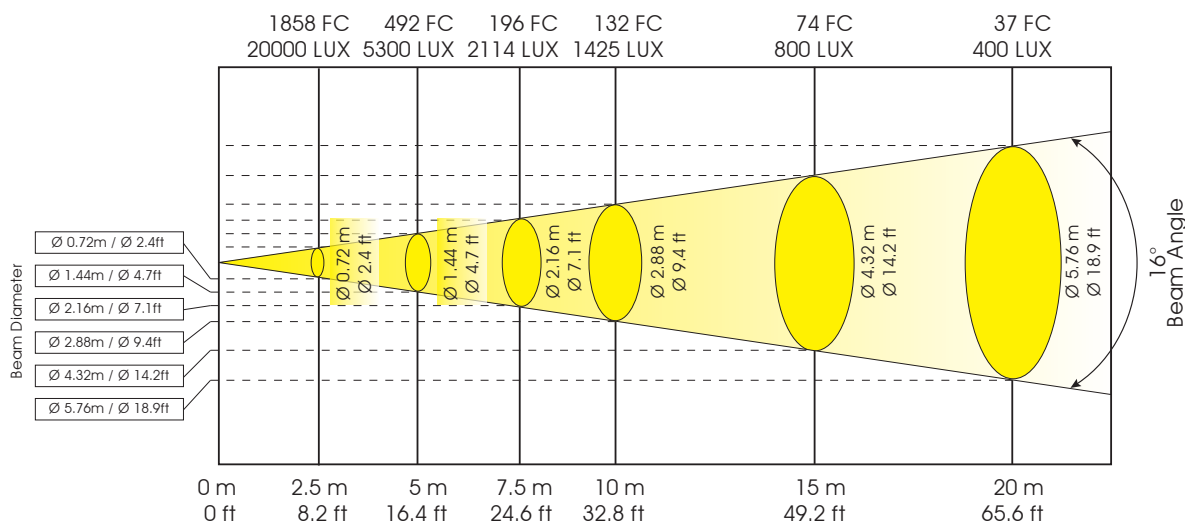


PHOTOMETRICS

Design Spot 300 Pro
Photometric Beam Angle Data

Minimum Beam Angle 16°

LUX x 0.0929 = FC



Design Spot 300 PRO

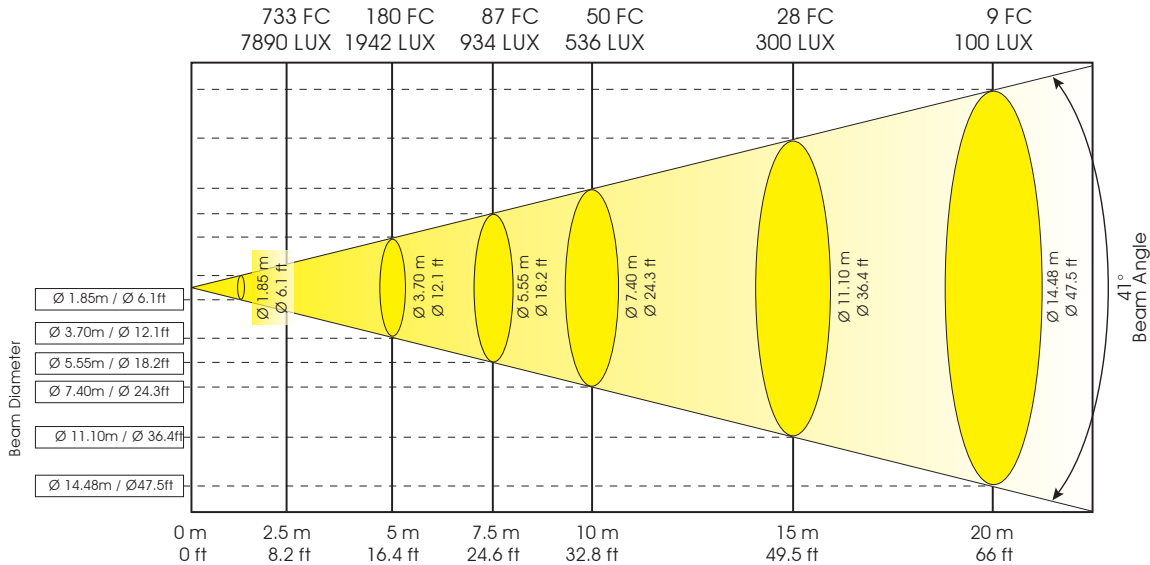


PHOTOMETRICS

Design Spot 300 Pro
Photometric Beam Angle Data

Maximum Beam Angle 41°

LUX x 0.0929 = FC



DMX TRAITS

22 DMX Channels:

Mode/Channel	Value	Function	Mode/Channel	Value	Function
ST BA EX			ST BA EX		
1 1 1	0 - 255	Pan movement 8bit	16 14 25	0 - 255	Shutter, strobe
2 2 2	0 - 255	Pan fine 16bit	17 15 26	0 - 255	Dimmer intensity
3 2 3	0 - 255	Tilt movement 8bit		27 0 - 255	Fine dimmer intensity
4 4 4	0 - 255	Tilt fine 16bit	18 16 28	0 - 255	Iris
5 3 5	0 - 255	Color wheel		29 0 - 255	Iris fine
	6 0 - 255	Color wheel fine	19 17 30	0 - 255	CMY & color macro speed
6 4 7	0 - 255	Cyan color 0-100%	20 18 31	0 - 255	Pan/tilt movement speed
	8 0 - 255	Cyan color fine	21 19 32	0 - 255	Color macros-CMY
7 5 9	0 - 255	Magenta color 0-100%			& color wheel
	10 0 - 255	Magenta color fine	22 20 33	0 - 255	Lamp on/off, re-set,
8 6 11	0 - 255	Yellow color 0-100%			internal programs
	12 0 - 255	Yellow color fine			
9 7 13	0 - 255	Gobo wheel 1 (rotating)			
10 8 14	0 - 255	Gobo indexing/rotating (coarse)			
	15 0 - 255	Gobo indexing (fine)			
11 9 16	0 - 255	Gobo wheel 2 (fixed)			
	17 0 - 255	Fixed gobo indexing (fine)			
12 10 18	0 - 255	Prism/gobo macros			
13 11 19	0 - 255	Prism indexing/rotation			
	20 0 - 255	Rotating indexing fine			
14 12 21	0 - 255	Focus			
	22 0 - 255	Focus fine			
15 13 23	0 - 255	Zoom			
	24 0 - 255	Zoom fine			